

PAB-SE Economical Barrier Gate

Dashou
Parking System Expert



Fence arm

Folding arm

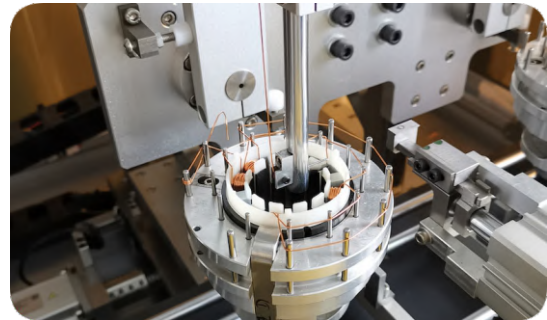
Swing off arm

Color optional

PAB-SE Economical series boom barrier adopts free-maintenance brushless DC motor and PWM variable frequency controller. Opening/closing time is 0.9~6s adjustable. Incredible 5 million MTBF makes the barrier always works well with long life span. Its boom direction is quickly exchangeable, boom type (straight/folding/fence) can be changed at site without replacing any parts. Telescopic straight arm is also available which help you reduce shipping cost. .

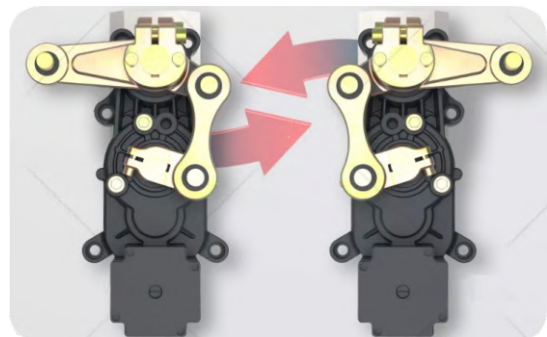
Free-maintenance Brushless DC Motor 5 million cycles MTBF

Free-maintenance brushless DC24V motor ensures 5 million MTBF long life span; Max. 100W low consumption makes barrier environment friendly but outputs super strong torque



Boom Direction Is Exchangeable Without Replacing Any Parts

In the past you have to keep stock for barriers with different boom direction as different sites may require different boom direction. But now boom arm direction can be exchanged easily at site without replacing any parts

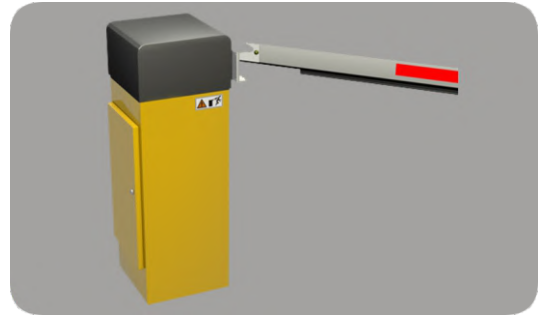


Leftward

Rightward

Boom Swing-off Protects Boom and Vehicle

Boom will swing off 90 degree if it was hit by a vehicle, this is to protect both vehicle and boom. It is optional. You can easily add swing-off module to a barrier which is without swing-off.



Boom Auto-Reverse On Obstacle

While moving down, boom will automatically reverse immediately once it is obstructed by vehicle or pedestrian, which protects the vehicle or person. The sensitivity is adjustable.



Manually Control In Case of Power Failure

If power supply is off, you can manually open/close the barrier gate by the black lever. Also boom can be manually locked in any position between horizontal and vertical by this level.

Warning: Not allowed to use the function when power on, may hurt your hand and damage the motor.



0.9~6 Second Speed Adjustable

The barrier gate adopts digital frequency servo controller, which allows the stepless speed control of the drive motor under the condition of no loss of output torque, and the opening/closing time can be respectively adjustable between 0.9s, or 2~3s or 3~6s.





Backup Solar Panel or Lead-acid Cell

DC motor barrier can be powered by solar panel or lead-acid cell for back up power supply. Especially solar power is environment friendly which is good for earth.



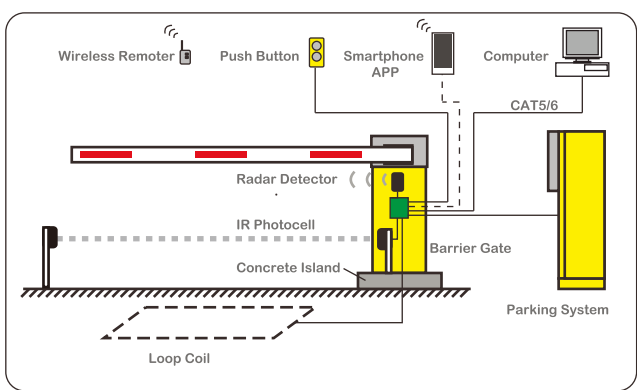
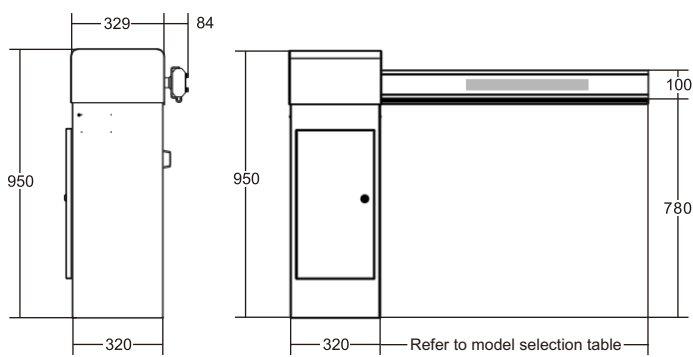
LED Illumination Makes Boom Visible In The Night

LED Illumination bar can be installed onto boom to make boom visible in the night, so that drivers can view barrier and boom clearly, this improve safety of both barrier and vehicle. Also LED decorates barrier gate.

More Features

1. 0.9s, or 2~3s adjustable, or 3~6 sec. adjustable on controller
2. Smooth moving with Max. 6m boom
3. Different types of boom can be changed without replacing any parts
4. Boom automatically open up fully in case of power failure (Optional)
5. Safety of Vehicle--- Anti-hit by Loop Detector (Optional)
6. Safety of Vehicle--- Anti-hit by IR photocell (Optional)
7. Safety of Vehicle--- Anti-hit by "Opening Priority"
8. Automatically close in given time (Programmable)
9. Automatically close or open by loop detector (Optional)
10. Enable or disable "Always-open Mode" on remote (Optional)

Dimension (mm) Application



Technical Parameter

Close/open time	0.9s, or 2~3s adjustable, or 3~6 sec. adjustable
Boom	Max. 6mtr. 86×44mm Aluminum alloy Octagonal boom
Boom	Telescopic straight arm optional
Boom Direction	Leftward / rightward exchangeable
Power Supply	AC220V or AC110V, 50/60Hz
Motor	100W DC24V brushless servo motor
Duty Cycle	Less than 100% duty cycle
MTBF	5 Million Cycles (Meantime Before Failure)
Controller	PWM variable frequency servo controller board
Wireless Remote	Two Remoters, distance>20m

Communication Interface	RS-485
Spring	1~2 pcs spring according to boom length
Housing Material	1.5mm cold-roller sheet
Housing Painting	Powder coating last 10 years
Protection Rating	IP 54
G.W / N.W	48/46KG
Package Dimension	1100×430×480mm (H*W*D)
Product Dimension	950×320×329mm (H*W*D)
Operating Temperature	-30°C~70°C
Operating Humidity	10%~95%

Accessories

PWM variable frequency servo controller board	Remoter: transmitter, distance>20m	100W DC24V Brushless Servo Torque Motor	Auto-open Module	Reserved
Aluminum Alloy Round Boom with Foam	86×44mm Aluminum Alloy Octagonal Boom with Rubber Bar	Arm With LED light bar: Green/red, DC12V power	Articulated arm	Fence arm
Boom Arm Bracket	Swing-off	Ground Induction Coil	Loop Detector	Photocell